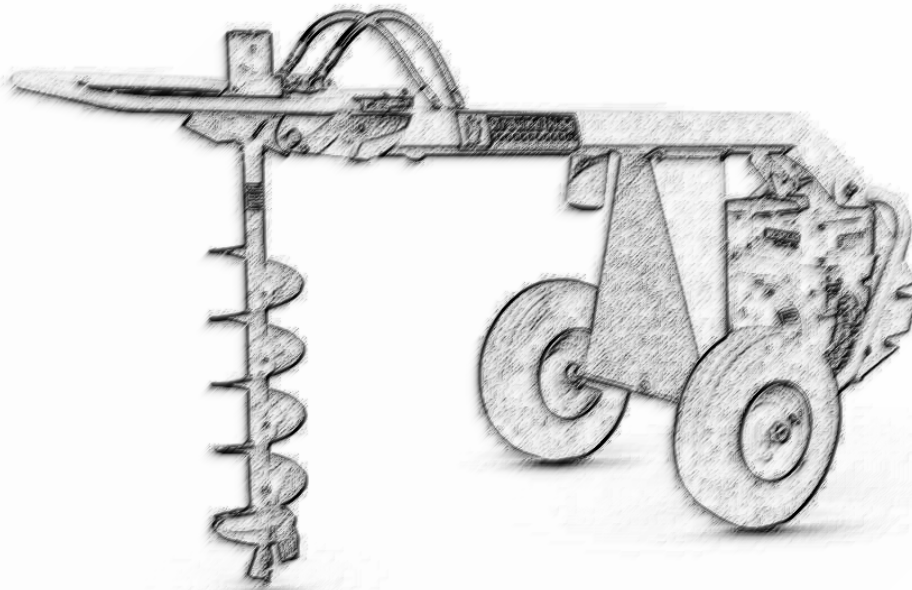
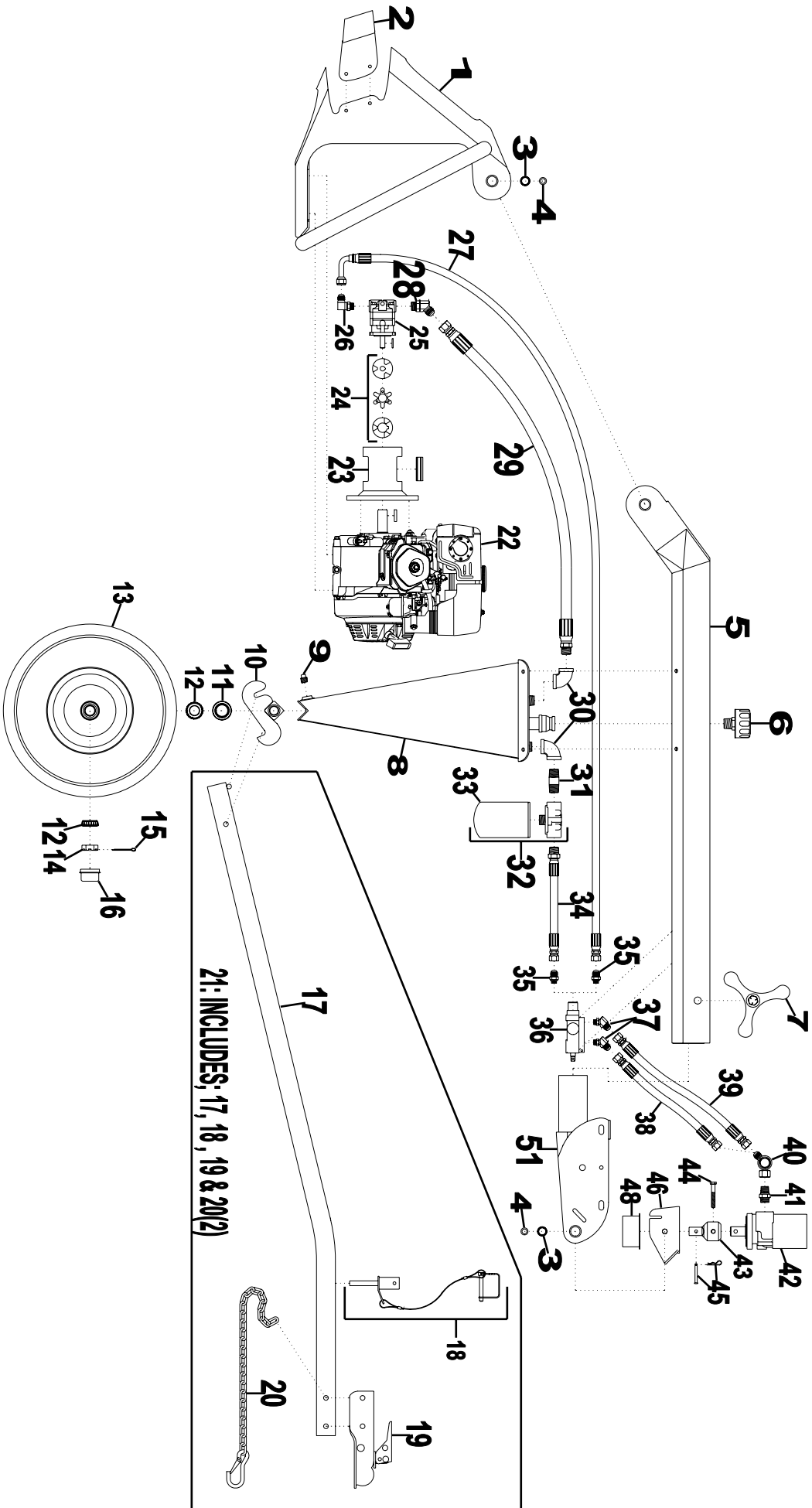


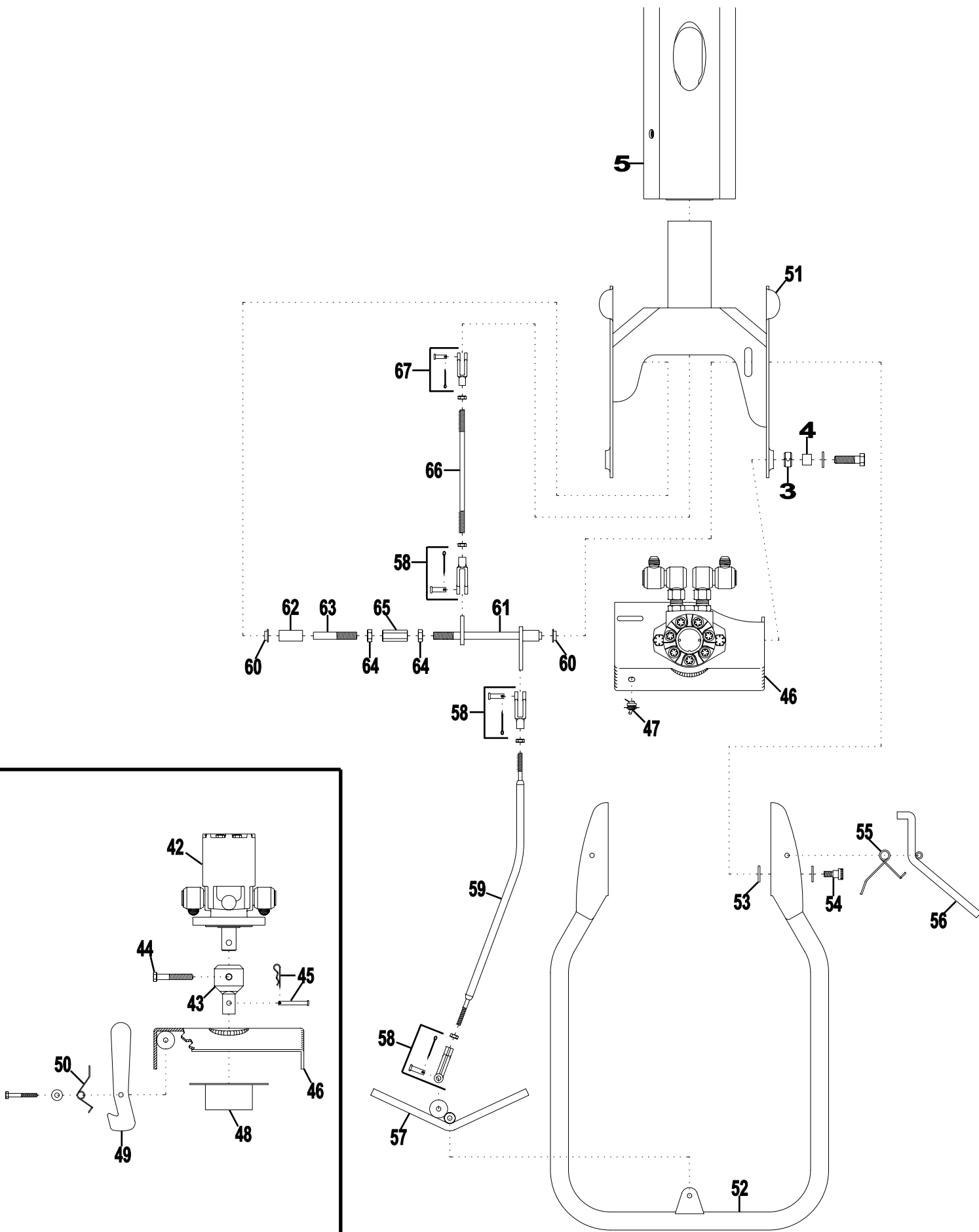


Parts Guide
for the
Model *HD99*



1470 S. VICTORIA CT • San Bernardino, CA. 92408 • P.O.BOX 290 • San Bernardino, CA. 92402
Phone (909) 478-5700 • Toll Free (800) 922-4680
Fax (909) 478-5710 • E-mail: sales@groundhoginc.com





HD99 PARTS LIST

REF #	PART #	DESCRIPTION
1	H210	ENGINE FRAME
2	H270	PUMP GUARD
3	561	PIVOT BUSHING
4	H550	PIVOT POINT SPACER
5	H110	BOOM
6	H360	FILLER CAP / BREATHER
7	H140	SWIVEL LOCK
8	H310	HYDRAULIC RESERVOIR
9	H370	RESERVOIR DRAIN PLUG
10	H410	AXLE
11	H422	WHEEL BEARING SEAL
12	H421	WHEEL BEARING
13	H420	TIRE AND WHEEL ASSEMBLY (5.70 X 8)
14	1620	1" CASTLE NUT
15	60525	COTTER PIN
16	H423	DUST CAP
17	H910	TOWBAR TUBE
18	H950A	OUTPUT SHAFT RECEIVER ASSEMBLY
19	H920	HITCH COUPLER
20	H930	SAFETY CHAIN
21	H900	TOWBAR ASSEMBLY [INCLUDES # 's 17, 18 , 19 & 20(2)]
22	GX270QA2	9 HP HONDA ENGINE
23	H711	PUMP ADAPTER (ALUMINUM)
24	H710	ENGINE TO PUMP COUPLER
25	H721	HYDRAULIC PUMP
26	H741	PUMP SUCTION HOSE ADAPTER
27	H742	PUMP PRESSURE HOSE ADAPTER
28	H732	PRESSURE HOSE
29	H731	SUCTION HOSE
30	H751	3/4" NPT PIPE ELBOW
31	H752	3/4" NPT x 2 1/2 PIPE NIPPLE
32	H724	FILTER-ADAPTER ASSEMBLY
33	H725	FILTER
34	H733	RETURN HOSE

HD99 PARTS LIST

REF #	PART #	DESCRIPTION
35	H743	VALVE IN-OUT HOSE ADAPTER
36	H722	HYDRAULIC VALVE
37	H744	VALVE TO MOTOR HOSE ADAPTER
38	H734	VALVE TO MOTOR HOSE SHORT
39	H735	VALVE TO MOTOR HOSE LONG
40	H746	HIGH PRESSURE SWIVEL
41	H745	MOTOR TO SWIVEL ADAPTER
42	H723	HYDRAULIC MOTOR
43	H715	AUGER TO MOTOR ADAPTER
44	1550	F911 3/8 X 3" COARSE THREAD CAPSCREW
45	1300	CLEVIS PIN W/ CLIP
46	H510	PIVOT PLATE
47	SS2	SNAP SWITCH
48	H540	ADAPTER GUARD
49	H520	PIVOT PLATE LOCK LEVER
50	H530	PIVOT PLATE LOCK LEVER SPRING
51	H130	WISHBONE
52	H610	HANDLEBAR
53	H670	1 1/4 O.D. x 1/2 I.D. NYLON THRUST WASHER
54	1555	HANDLEBAR SHOULDER BOLT
55	H660	HANDLEBAR LATCH SPRING
56	H650	HANDLEBAR LATCH
57	H640	CONTROL LEVER
58	H820	5/16 x 5/16 CLEVIS ROD END (INCLUDES PIN & CLIP)
59	H880	BELL CRANK CONTROL ROD
60	H870	BELL CRANK BUSHING
61	H840	BELL CRANK
62	H860	BELL CRANK SPACER
63	H850	BELL CRANK SHORT SHAFT
64	1606	1/2" JAM NUT
65	1625	1/2" COUPLER NUT
66	H830	VALVE CONTROL ROD
67	H810	1/4 x 5/16 CLEVIS ROD END (INCLUDES PIN & CLIP)

!!! CAUTION !!!

**Use Only Authorized Ground Hog, Inc. Parts
American Express • Visa • Master Card •
Discover Cards Accepted
Payable In U.S. Dollars
\$ 25.00 Minimum Order**